

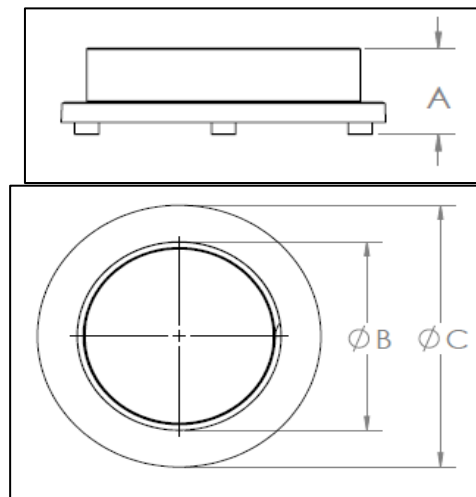
THREADED SPIN WELD FITTINGS

FEATURES

A NEW ADDITION TO OUR AIK CATALOGUE

Our AIK threaded Spin Weld Fittings are made from a low-density Polyethylene resin and are offered in six different sizes, 3/8" to 3". Standard colours come in natural and black, but custom colours are available as per customer's request.

Spin Welding Fittings are mainly used for creating and repairing damaged threaded outlets and are popular in industries such as, marine, agriculture, and recreational vehicles.



SIZE	PART #	DESCRIPTION	A	B	C	QTY / BOX
3/8"	SWFL0375	3/8" FLUSH THREADED FPT	0.84"	0.68"	0.85"	100
1/2"	SWR005	1/2" RAISED THREADED FPT	0.79"	0.85"	1.93"	100
3/4"	SWR075	3/4" RAISED THREADED FPT	0.99"	1.05"	2.16"	100
3/4"	SPW075	3/4" FLUSH THREADED FPT	0.78"	1.10"	2.69"	100
1-1/2"	SWR015	1-1/2" RAISED THREADED FPT	1.15"	1.91"	3.46"	100
2"	SWR020	2" RAISED THREADED FPT	0.92"	2.39"	4.85"	100
3"	SWFL030HD	3" FLUSH THREADED FPT	1.39"	3.50"	0.85"	80