

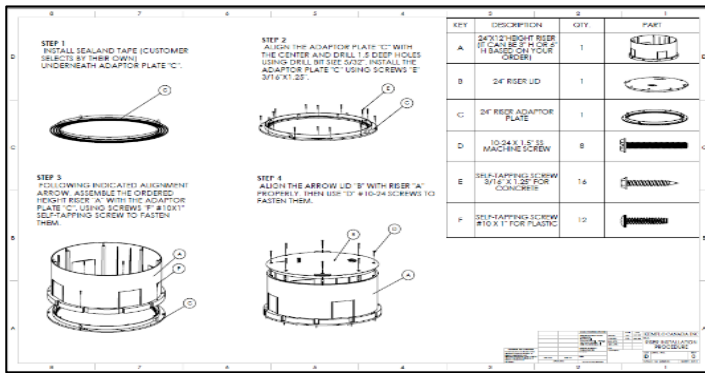
24" SEPTIC TANK RISER

A NEW ADDITION TO OUR AIK LINE

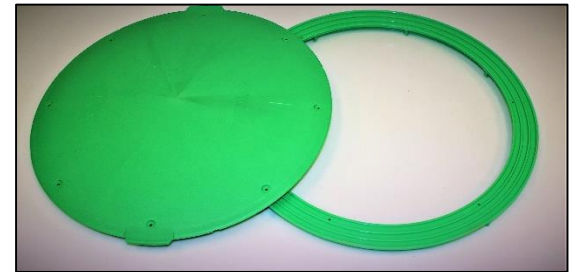
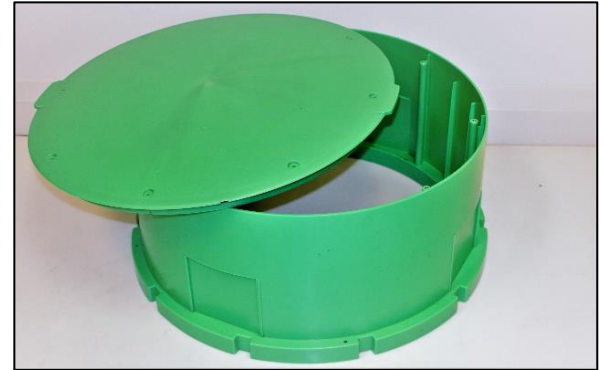
This 24" Septic Tank Risers come in three different sizes, 3", 6", and 12" with a riser lid, adapter plate, and screws at no costs. Each riser is securely locked in with stainless steel screws. This product is made from high-density Polyethylene, one of the most durable thermoplastic polymers, compared to other Polypropylene risers.

Additional features included:

- Watertight
- UV-Ray protection
- Allows septic tank to be easily vacuum and water tested.



24" Septic Lid installation guide



RISERS

SIZE	DESCRIPTION
3"	24" x 3" SEPTIC TANK RISER
6"	24" x 6" SEPTIC TANK RISER
12"	24" x 12" SEPTIC TANK RISER



3" RISER

LID

SIZE	DESCRIPTION
24"	24" RISER LID



6" RISER

ADAPTER

SIZE	DESCRIPTION
24"	24" RISER ADAPTER



12" RISER